

# MINI-LINK

# QUICK START GUIDE

Run wireless using MINI-LINK, our micro 2.4GHz transmitter. PRO-LINK will be available in the near future but we've included MINI-LINK so you can enjoy the fun of wireless now. It has extended battery life and easy set-up. MINI-LINK is great for practice or small gigs but not recommended for critical use or stadium gigs. That's PRO-LINK territory.

TIP: If you're using a wireless link for your guitar (e.g. Line6 G10 etc), we recommend getting it running first, and MINI-LINK will automatically avoid its channel(s).

## SET UP CONTROLLER

Power up the CONTROLLER without a data cable. It defaults to Wireless Mode when there's no data cable plugged in. The Connection red LED blinks while scanning for MINI-LINK and turns solid when paired. When playing, it blinks frequently if there's bad interference. Plug in a data cable at any time to change back to Wired Mode.

IMPORTANT: Don't move the whammy bar during changeover – it's checked when you change modes to make sure all is well.

## SET UP MINI-LINK

Connect MINI-LINK to the whammy with the 18" (0.5m) data cable BEFORE pressing the power button.

To power ON, press & hold its power button for 2 seconds. It automatically connects with the nearest CONTROLLER in a few seconds. The blue LED flashes slowly at a low level during use.

## CHARGING

MINI-LINK has extended battery life with 25-30 hours per charge. The blue LED will double flash when 10% charge remains. Standard chargers will fully charge MINI-LINK in 1-2 hours with a normal 'micro-USB' cable. The red LED will turn on while charging and turn off once completed.

## PLACEMENT

MINI-LINK works best with line-of-sight to the CONTROLLER. Our favourite position is to put MINI-LINK in our front jeans pocket. It works well in that location and is very convenient when guitar swapping.

You can also use the spare Mount to attach it to the front of your guitar. Or use the spare Mount with the adapter plate and belt clip to fit it to your strap. It slides off the mount for charging.

## DEEP DIVE

Detailed information at [www.fomofx.com/deep-dive-items](http://www.fomofx.com/deep-dive-items) or email [support@fomofx.com](mailto:support@fomofx.com)



## INTERFERENCE

WiFi/2.4GHz interference can be unpredictable. You can force a re-scan for clear channels:

1. Turn off MINI-LINK (Press and Hold power button for 2 seconds)
2. Press & Hold the LEFT & RIGHT 'UP' buttons on the CONTROLLER until you see the 'checkerboard' (see the DEEP DIVE video). This has forced a channel re-scan (the guitar signal isn't interrupted)
3. Turn MINI-LINK back on to re-connect

## MINI-LINK LED INDICATOR

BLUE SLOW FLASH: Connected  
BLUE DOUBLE FLASH: Low battery  
SOLID RED: Charging

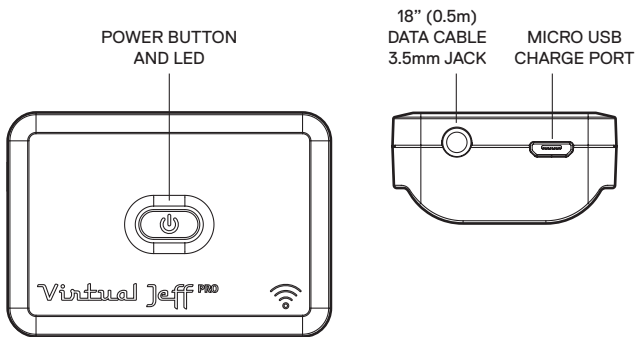
## CONTROLLER PAIRING LED INDICATOR

RED FLASHING: Scanning for MINI-LINK  
SOLID RED: MINI-LINK is connected  
RANDOM FLASHING: Interference

This device emits <20mW of radiated RF power

---

## MINI-LINK OVERVIEW



---

## BELT MOUNT ASSEMBLY

