

FOMO^{fx}



Virtual Jeff[®] PRO QUICK START GUIDE

Virtual Jeff[®] PRO

Thanks for joining the whammy revolution with us! **Virtual Jeff[®] PRO** is precision made and built like a tank. If you don't drown it in beer or crush it under a bus, it'll work with that precision for decades. Please enjoy the digital whammy experience and get in touch with any problems - stuff happens! We'll get you going asap with no corporate run-around.

Cheers..... Peter and Ian, Founders

There's more details about installation, setup, features and MiniLink in the DEEP DIVE on our website as well as helpful video guides on each topic.

DEEP DIVE: www.fomofx.com/deep-dive-items



QUICK START

INSTALL THE WHAMMY

1. Follow the arrows to slide Virtual Jeff onto the Mount rails until it clicks
2. Find your preferred location by test fitting behind the bridge/tailpiece
3. Clean the guitar surface to remove oil, grime and polish
4. Remove the adhesive backing on the Mount and press down firmly into place for 10 seconds

SET UP CONTROLLER

1. Connect your guitar cable to INPUT and connect OUTPUT to your pedals or amp
2. Plug the 13ft (4m) data cable into Virtual Jeff and the 'Whammy IN' on the CONTROLLER
3. Connect the supplied power adapter to the CONTROLLER

IMPORTANT: *Don't move the whammy bar during power up - it's being tested to guarantee all is well.*

MODES A & B

1. Use the small UP & DOWN buttons to change pitch settings for Modes A & B
2. Orange LEDs indicate the current settings in each Mode
3. Your settings are remembered after powering off

TIP: We use Mode A for regular bends and Mode B for wild and crazy stuff :)

V-CAPO

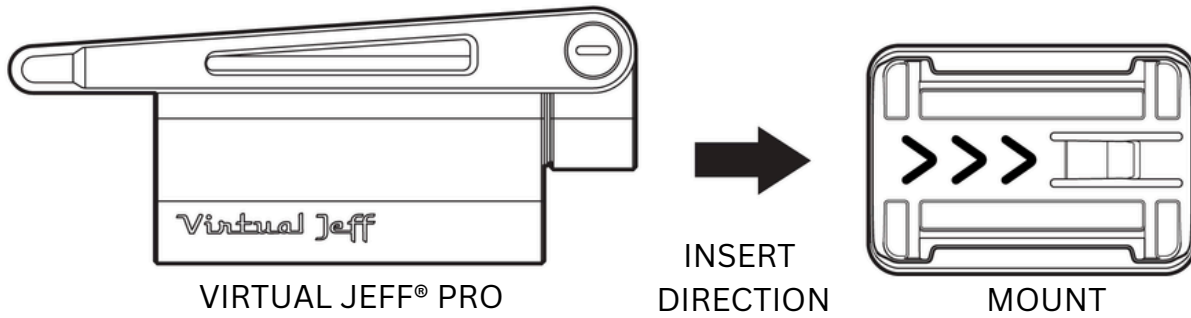
When active, it's like a regular capo in both directions – capo higher AND lower. The whammy works as normal at all V-CAPO settings.

1. One orange LED will indicate the current setting from -24 to +12 half-steps
2. Use any UP & DOWN button to change the V-CAPO setting
3. Your V-CAPO setting is remembered after power off

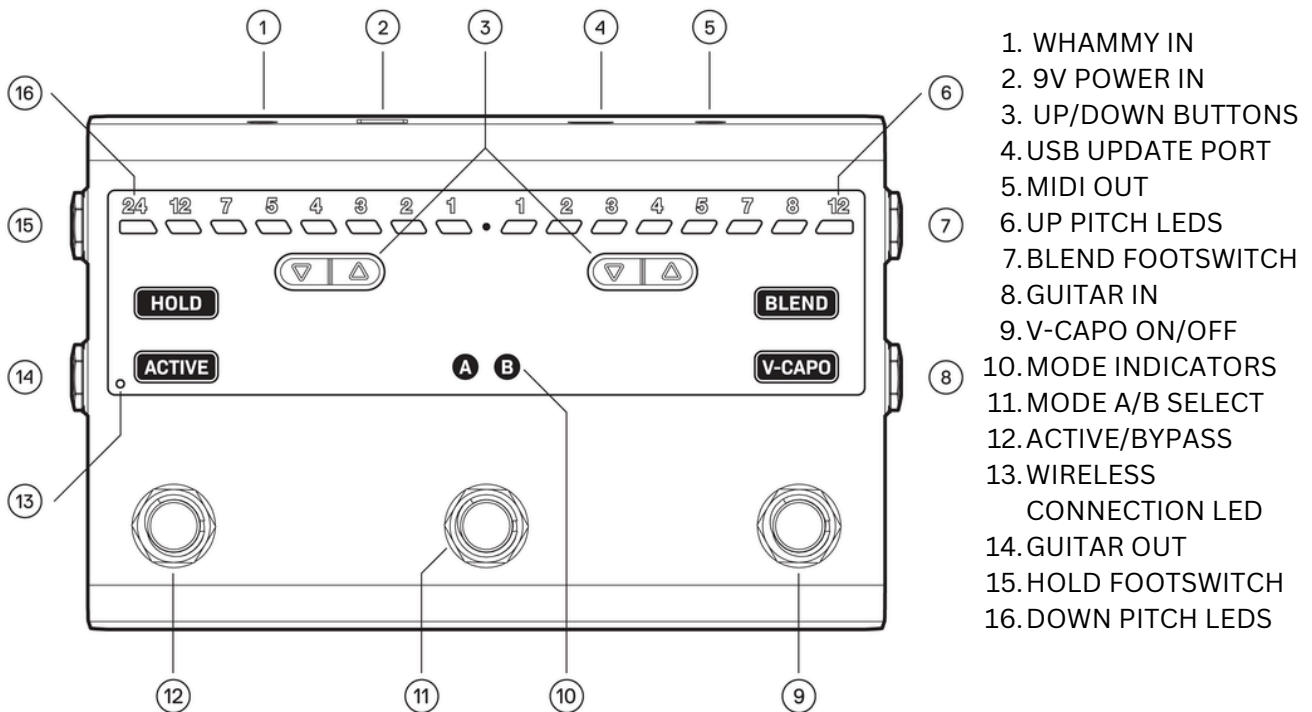
PACKAGE CONTENTS

- Virtual Jeff PRO™
- FOMOfx CONTROLLER with wOS2
- 13ft (4m) data cable with 3.5mm RTS plugs
- 18" (0.5m) data cable with 3.5mm RTS plugs
- Carry case
- Multi-language QuickStart Links
- MINI-LINK transmitter
- Mount assembly (with adhesive)
- Spare Mount
- Mount adapter
- 2 x spare adhesive strips
- Belt clip

VJP MOUNT ASSEMBLY



CONTROLLER OVERVIEW



CAUTION

There are no user serviceable parts inside the units. Do not open the units. Do not attempt to service the units yourself. Refer all servicing to qualified personnel. Opening the chassis of either unit for any reason will void the manufacturer's warranty. Do not allow the units to get wet. If liquid is spilled on either unit, remove the power supply immediately and take both of them to a dealer for service. Do not use the equipment during electrical storms – remove the power supply for proper protection.

DISPOSAL

Do not dispose this unit with household waste. There is a separate collection system for used electronic equipment in accordance with local legislation that requires proper treatment, recovery and recycling.

Within the EU and many other countries, used electronic equipment may be returned free of charge to designated collection centres, or, retailers when a replacement product is purchased. Please 'do the right thing' to prevent further damage to the environment.

WARRANTY

Virtual Jeff PRO™ is a precision mechanism using patented technology. You do not have to register for warranty if purchased through the FOMOfx online store. When purchased through a distributor, you may have to register with them for warranty. This warranty is valid only in the original country of purchase.

WARRANTY CONDITIONS

FOMOfx warrants Virtual Jeff to be free of defects in material and workmanship when purchased from an authorised dealer in your local country. This warranty applies only to the original purchaser.

FOMOfx will repair or replace any defective materials provided the product is returned under a RETURN MERCHANDISE AUTHORISATION issued by FOMOfx or its authorised dealer in the country of purchase.

The warranty period is 24 months from the date of purchase. Reasonable Proof of Purchase must be provided to invoke this warranty.

Any unauthorised tampering, modification or opening of the units will invalidate this warranty. Similarly, any use outside the normal purpose or with a non-approved power supply will invalidate this warranty. Power supply approval is based on (1) correct polarity of cabling/plug and (2) local regulatory approval of the power supply unit. Warranty service will be provided when the units are returned with the power supply used in operation. Postal, freight or shipping charges will be paid by the user to get the units to and from the service centre.

FOMOfx reserves the right to make changes or improvements to this product without any obligation to apply them to products manufactured or sold prior to those changes or improvements.

All of the foregoing is in lieu of any other warranties, expressed or implied, except where declared or implied by local consumer law.



MINI-LINK

V1.5 © FOMOfx

QUICK START GUIDE

Run wireless using MINI-LINK, our micro 2.4GHz transmitter. We've included MINI-LINK so you can enjoy the fun of wireless right now. It has extended battery life and easy set-up. MINI-LINK is great for practice or small gigs but not recommended for critical use or stadium gigs. That's PRO-LINK territory.

TIP: If you're using a wireless link for your guitar (e.g. Line6 G10 etc), we recommend getting it running first, and MINI-LINK will automatically avoid its channel(s).

SET UP CONTROLLER

Power up the CONTROLLER without a data cable. It defaults to Wireless Mode when there's no data cable plugged in. The Connection red LED blinks while scanning for MINI-LINK and turns solid when paired. When playing, it blinks frequently if there's bad interference. Plug in a data cable at any time to change back to Wired Mode. See our DEEP DIVE section for information on re-pairing and battery life.

IMPORTANT: Don't move the whammy bar during changeover – it's checked when you change modes to make sure all is well.

SET UP MINI-LINK

Connect MINI-LINK to the whammy with the 18" (0.5m) data cable BEFORE pressing the power button.

IMPORTANT: MINI-LINK will automatically shut off if the whammy isn't connected!

To power ON, press & hold its power button for 1-2 seconds. It automatically connects with the nearest CONTROLLER in a few seconds. The blue LED flashes slowly at a low level during use.

CHARGING

MINI-LINK has extended battery life with 25-30 hours per charge. The blue LED will double flash when 10% charge remains. Standard chargers will fully charge MINI-LINK in about 2-3 hours with a normal 'micro-USB' cable. The red LED will turn on while charging and turn off once completed.

PLACEMENT

MINI-LINK works best with line-of-sight to the CONTROLLER. Our favourite position is to put MINI-LINK in our front jeans pocket. It works well in that location and is very convenient when guitar swapping.

You can also use the spare Mount to attach it to the front of your guitar. Or use the spare Mount with the adapter plate and belt clip to fit it to your strap. It slides off the mount for charging.

DEEP DIVE

Detailed information about installation, features, MINI-LINK etc at www.fomofx.com/deep-dive-items or email support@fomofx.com



INTERFERENCE

WiFi/2.4GHz interference can be unpredictable. You can force a re-scan for clear channels:

1. Turn off MINI-LINK (Press and Hold power button for 2 seconds)
2. Press & Hold the LEFT & RIGHT 'UP' buttons on the CONTROLLER until you see the 'checkerboard'.
This has forced a channel re-scan (the guitar signal isn't interrupted).
See the DEEP DIVE video. <https://www.youtube.com/watch?v=VExxBqDZnUY>
3. Turn MINI-LINK back on to re-connect

MINI-LINK LED INDICATOR

BLUE SLOW FLASH: Connected
BLUE DOUBLE FLASH: Low battery
SOLID RED: Charging

CONTROLLER PAIRING LED INDICATOR

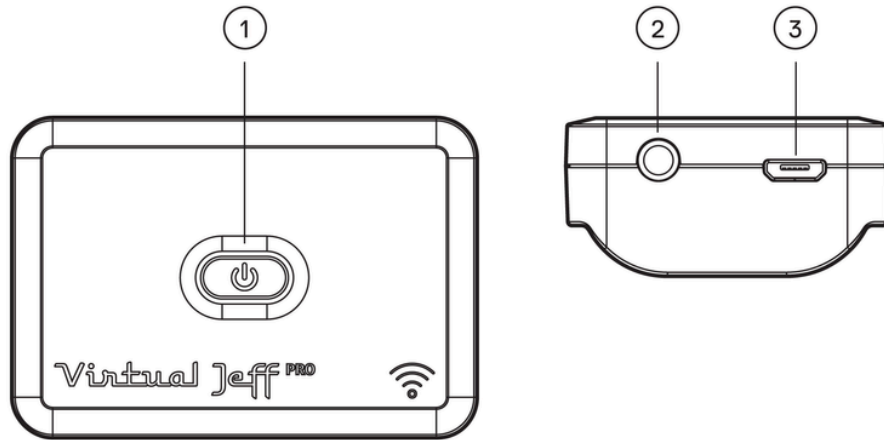
RED FLASHING: Scanning for MINI-LINK
SOLID RED: MINI-LINK is connected
RANDOM FLASHING: Interference

This device emits <20mW of radiated RF power.

IMAGE DESCRIPTIONS

MINILINK OVERVIEW

1. POWER BUTTON AND LED
2. 18" (0.5m) DATA CABLE 3.5mm JACK
3. MICRO USB CHARGE PORT



BELT MOUNT ASSEMBLY

STEP 1

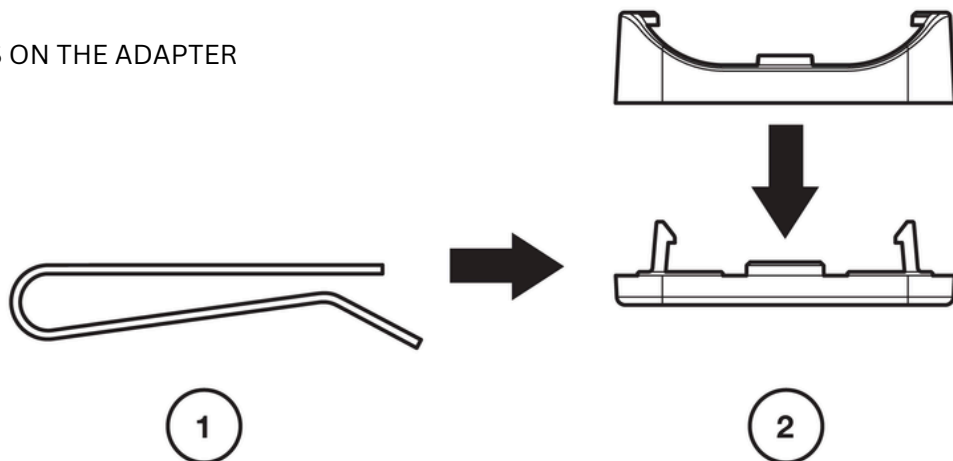
SLIDE BELT CLIP OVER ADAPTER PLATE

STEP 2

PUSH SPARE MOUNT ONTO ADAPTER PLATE

STEP 3

PUT ADHESIVES ON THE ADAPTER



DECLARATION OF CONFORMITY

We : FOMOfx Pty Ltd of:

**13 Station St
Kogarah, NSW
Australia 2217**

in accordance with the following Directive(s)

EMC Directive 2014/30/EU

FCC CFR 47 Part 15, Sub-part B

hereby declare that the Product:

VIRTUAL JEFF PRO

Model: VJP_01,

Serial Numbers: 01000 – onwards

is in conformity with the applicable standards:

a) EN 61000-6-3 (emissions)

b) EN 61000-6-1 (immunity)

c) CFR 47 Part15, Sub-part B

d) IEC 62368 (safety)

and complies with:

e) Directive 2011/65/EU (RoHS 2)

f) Directive 2012/19/EU (WEEE)

I hereby declare that the equipment named above has been designed to comply with the relevant sections of the above referenced specifications. The equipment complies with all applicable Essential Requirements of the Directives.

Authorised Signature:

Name: Peter J. Walker

Position: CEO, FOMOfx Pty Ltd

Signed at: Sydney, Australia

Date: 28/08/2020

Warning: Changes or modifications to this unit not expressly approved by the party responsible for compliance could void the user's authority to operate the equipment.

This device complies with Part 15 of the FCC Rules. Operating it is subject to the following two conditions:

(1) this device may not cause harmful interference

(2) this device must accept any interference received, including interference that may cause undesired operation.

Shielded cables must be used with this unit to ensure compliance with Class B FCC limits.

FCC ID: 2AYFZVJPML1

IC: 26801-VJPML1

CAN ICES-3 (B)/NMB-3(B)

CONTACT

www.fomofx.com

Email: support@fomofx.com

VIRTUAL JEFF® PRO

V1.2 © FOMOfx

FCC STATEMENT

Note: This equipment has been tested and found to comply with the limits for a Class B digital device, pursuant to part 15 of the FCC Rules. These limits are designed to provide reasonable protection against harmful interference in a residential installation. This equipment generates, uses and can radiate radio frequency energy and, if not installed and used in accordance with the instructions, may cause harmful interference to radio communications.

However, there is no guarantee that interference will not occur in a particular installation. If this equipment does cause harmful interference to radio or television reception, which can be determined by turning the equipment off and on, the user is encouraged to try to correct the interference by one or more of the following measures:

- Reorient or relocate the receiving antenna.
- Increase the separation between the equipment and receiver.
- Connect the equipment into an outlet on a circuit different from that to which the receiver is connected.
- Consult the dealer or an experienced radio/TV technician for help.

Shielded cables must be used with this unit to ensure compliance with the Class B FCC limits.

IC STATEMENT

This device contains licence-exempt transmitter(s)/receiver(s) that comply with Innovation, Science and Economic Development Canada's licence-exempt RSS(s).

Operation is subject to the following two conditions:

1. This device may not cause interference.
2. This device must accept any interference, including interference that may cause undesired operation of the device.

L'émetteur/récepteur exempt de licence contenu dans le présent appareil est conforme aux CNR d'Innovation, Sciences et Développement économique Canada applicables aux appareils radio exempts de licence.

L'exploitation est autorisée aux deux conditions suivantes:

1. L'appareil ne doit pas produire de brouillage;
2. L'appareil doit accepter tout brouillage radioélectrique subi, même si le brouillage est susceptible d'en compromettre le fonctionnement.

Model: VJP_01

FCC ID: 2AYFZVJFML1

IC: 26801-VJFML1

CAN ICES-3 (B)/NMB-3(B)

